

**CLASSIC FRAME (S and C-Series)**

uses



LODGING



OFFICE



MEDICAL OFFICE



DORMITORIES



BUILDINGS OF WORSHIP



ASSISTED LIVING



MULTI-FAMILY



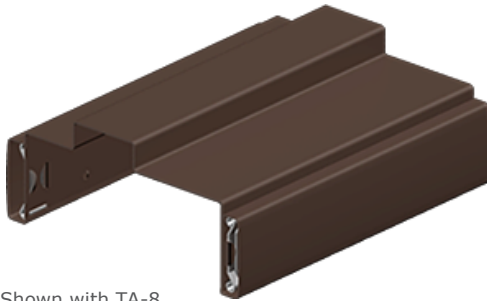
SCHOOLS



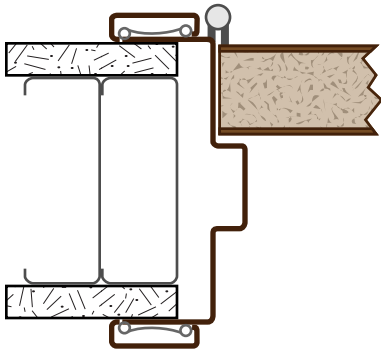
HOSPITAL NON SURGICAL



SINGLE FAMILY



Shown with TA-8 Steel Casing as example.



1A Jamb Hinge Side

The pre-finished steel **Classic Frame** is our most popular profile. It is the ideal solution for most commercial drywall applications.

Our Classic Frame is available in two material thicknesses, **S-Series** (20 gage) and **C-Series** (18 gage) pre-finished steel.

Finishing options include 2 standard colors, 4 premium colors, 29 pre-matched custom colors, project matched custom colors or primed for field painting. Galvanizing is available for all painted finishes and is REQUIRED in areas subject to high humidity, corrosive environments or exterior installations.

Fire ratings up to 90 minutes are available for non-glazed openings, and up to 45 minutes for glazed openings.

Mullions are available in all jamb depths from 3 1/2" to 13".

Classic Frames will accommodate either a 1 3/8" or 1 3/4" door weighing up to 500 lbs.

**STANDARD JAMB DEPTHS**

**S-SERIES (20 gage):** 2 1/4", 2 7/8", 3 1/2", 3 3/4", 4", 4 5/8", 4 7/8", 5" and 5 3/8"

**C-SERIES (18 gage):** 2 1/4", 2 7/8", 3 1/2", 3 3/4", 4", 4 5/8", 4 7/8", 5", 5 3/8", 6 5/8", 6 7/8" and 7 1/4"

**CUSTOM JAMB DEPTHS**

**C-SERIES (18 gage):** 2 1/4" to 13" in 1/8" increments.

NOTE: The available jamb depths and door weights listed here apply to the Classic Frame in general. Some limitations may apply when looking at specific information. For example a communicating frame must have a larger minimum jamb depth than listed here.