

**DOUBLE EGRESS (DE-Series)**

uses



LODGING



OFFICE



MEDICAL OFFICE



DORMITORIES



BUILDINGS OF WORSHIP



ASSISTED LIVING



MULTI-FAMILY



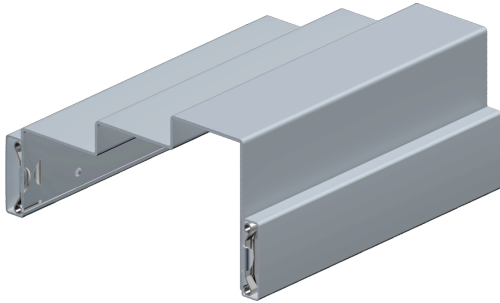
SCHOOLS



HOSPITAL NON SURGICAL



SINGLE FAMILY



Shown with TA-8 Steel Casing as example.

The pre-finished steel **DE-Series** Double Egress Frame is commonly used for openings requiring Doors swinging in opposite directions.

Our **DE-Series** Double Egress Frames are made using 18 gage pre-finished steel.

Finishing options include 2 standard colors, 4 premium colors, 29 pre-matched custom colors, project matched custom colors or primed for field painting. Galvanizing is available for all painted finishes and is **REQUIRED** in areas subject to high humidity, corrosive environment or exterior installations.

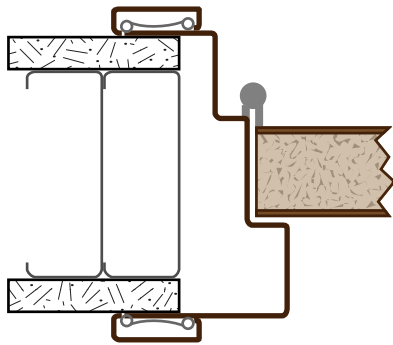
Fire ratings up to 90 minutes are available.

Mullions are not available for **DE-Series** Double Egress Frames.

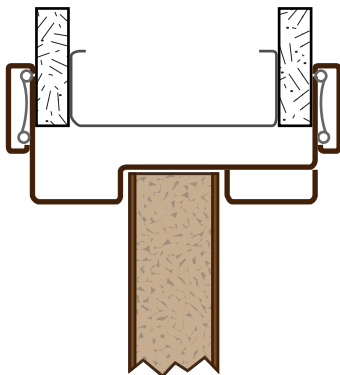
Our **DE-Series** Double Egress Frames will accommodate 1 3/4" doors weighing up to 250 lbs each.

**AVAILABLE IN JAMB DEPTHS**

4 3/4" to 13" in 1/8" increments.



5A Jamb Hinge Side - Double Egress



5D Header - Double Egress