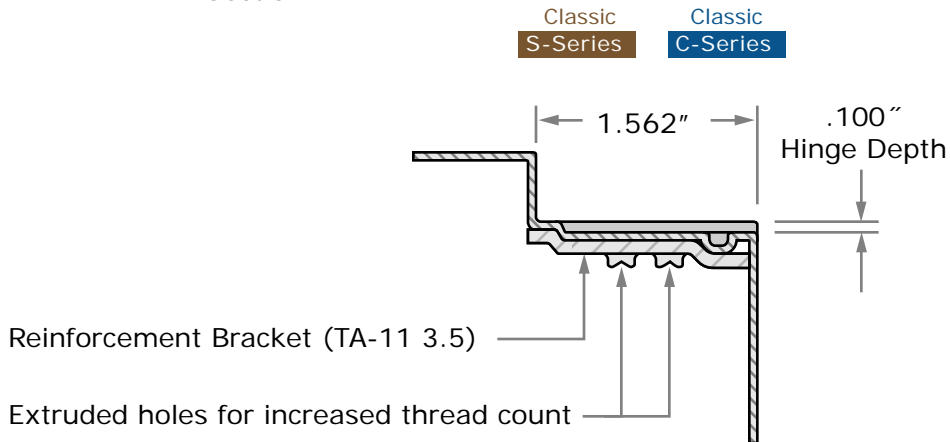


NOT TO SCALE

### Section A-A



## 3 1/2" Hinge Preparation - (Template) Screw Pattern

Template  
**H-03**

Standard Weight - 5/8" radius

Rev.No. 2/12