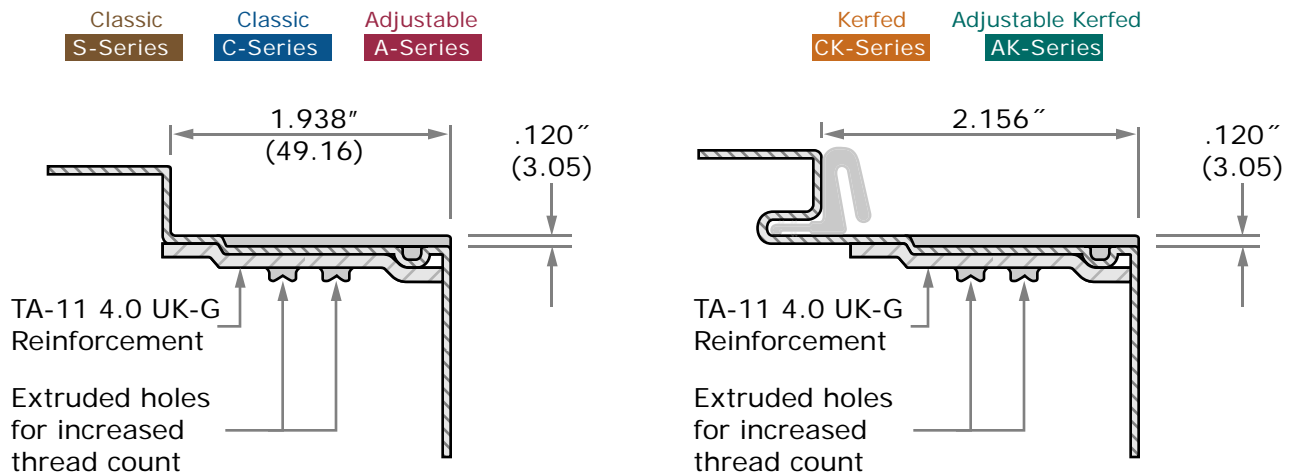


Section A-A



4" Hinge Preparation - (UK 5mm) Screw Pattern

Template
H-08