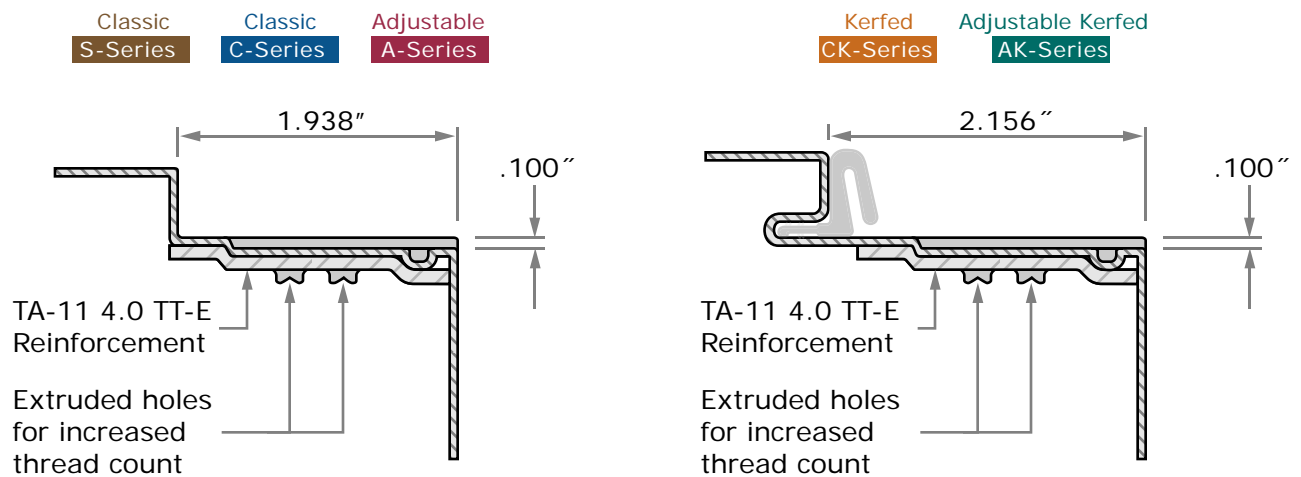


Section A-A



4" Hinge Preparation - (Therma Tru) Screw Pattern

Template
H-10

Standard Weight - 5/8" radius

Rev.No. 2/12