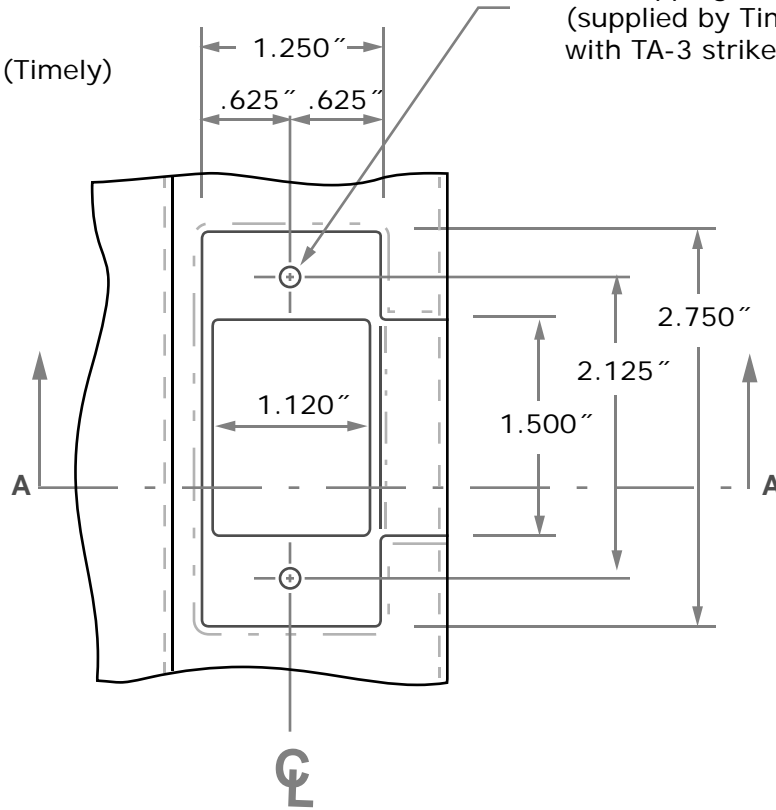


### Compatible Strike Plates:

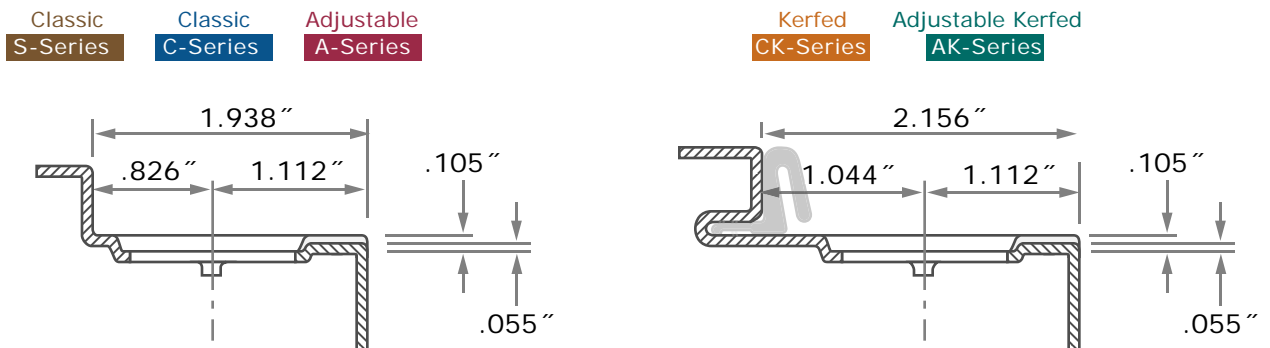
- TA-1 Adjustable T-Strike (Timely)
- TA-2 Filler Plate (Timely)
- TA-4 & TA-4EX Storage Hasp (Timely)
- TA-71 Roller Latch (Timely)

Uses #8-32 x 3/8" Self Tapping Screw (supplied by Timely with TA-3 strike)



NOT TO SCALE

### Section A-A



- Adjustable T-Strike
- Storage Hasp
- Roller Latch

Template  
**S-51**