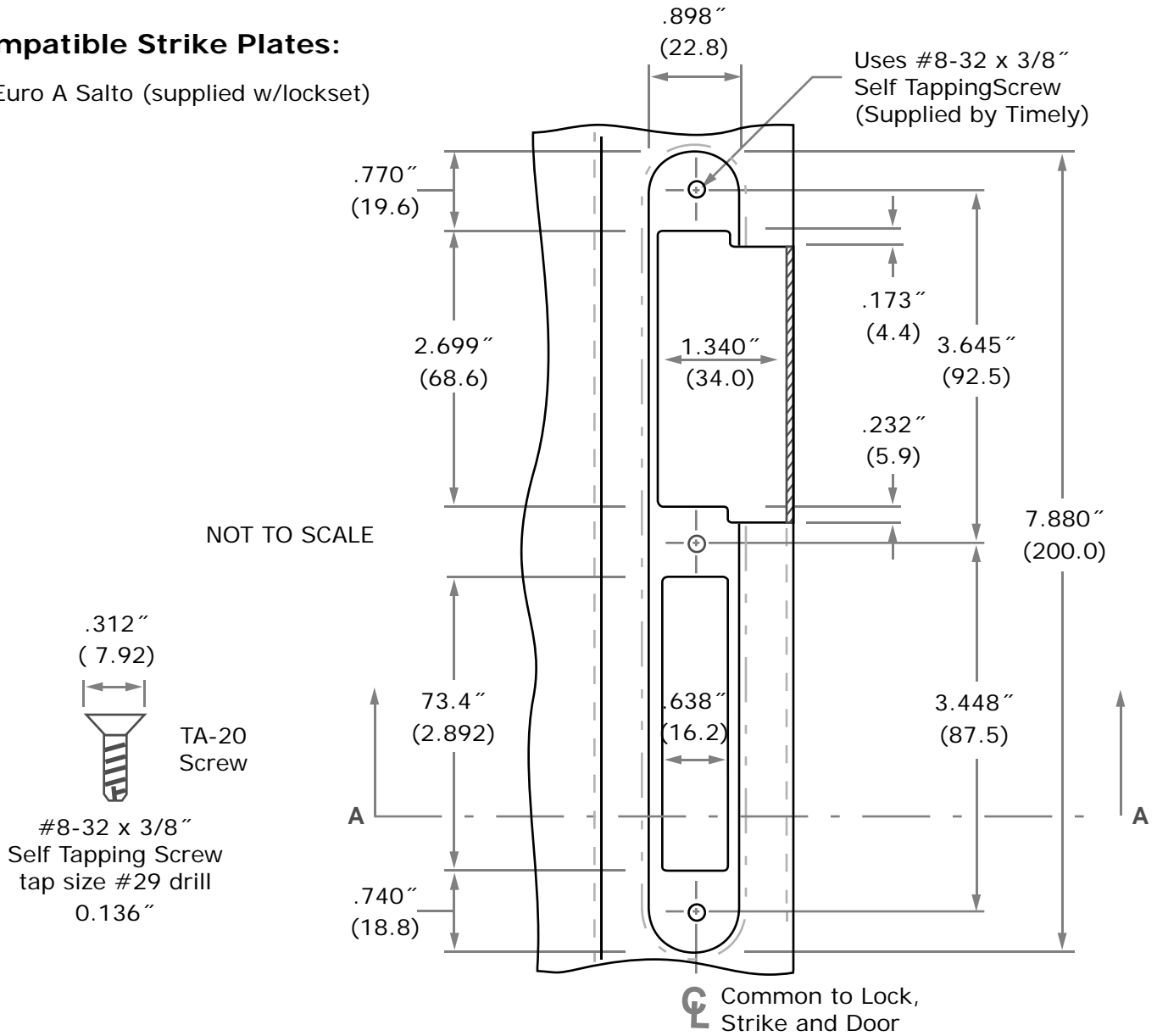
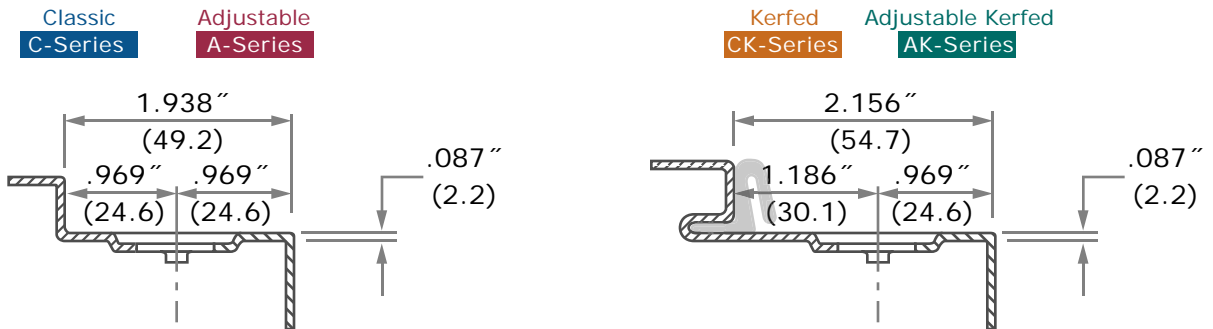


Compatible Strike Plates:

- Euro A Salto (supplied w/lockset)



Section A-A



Euro A - Salto, #8 screws

Template
S-86