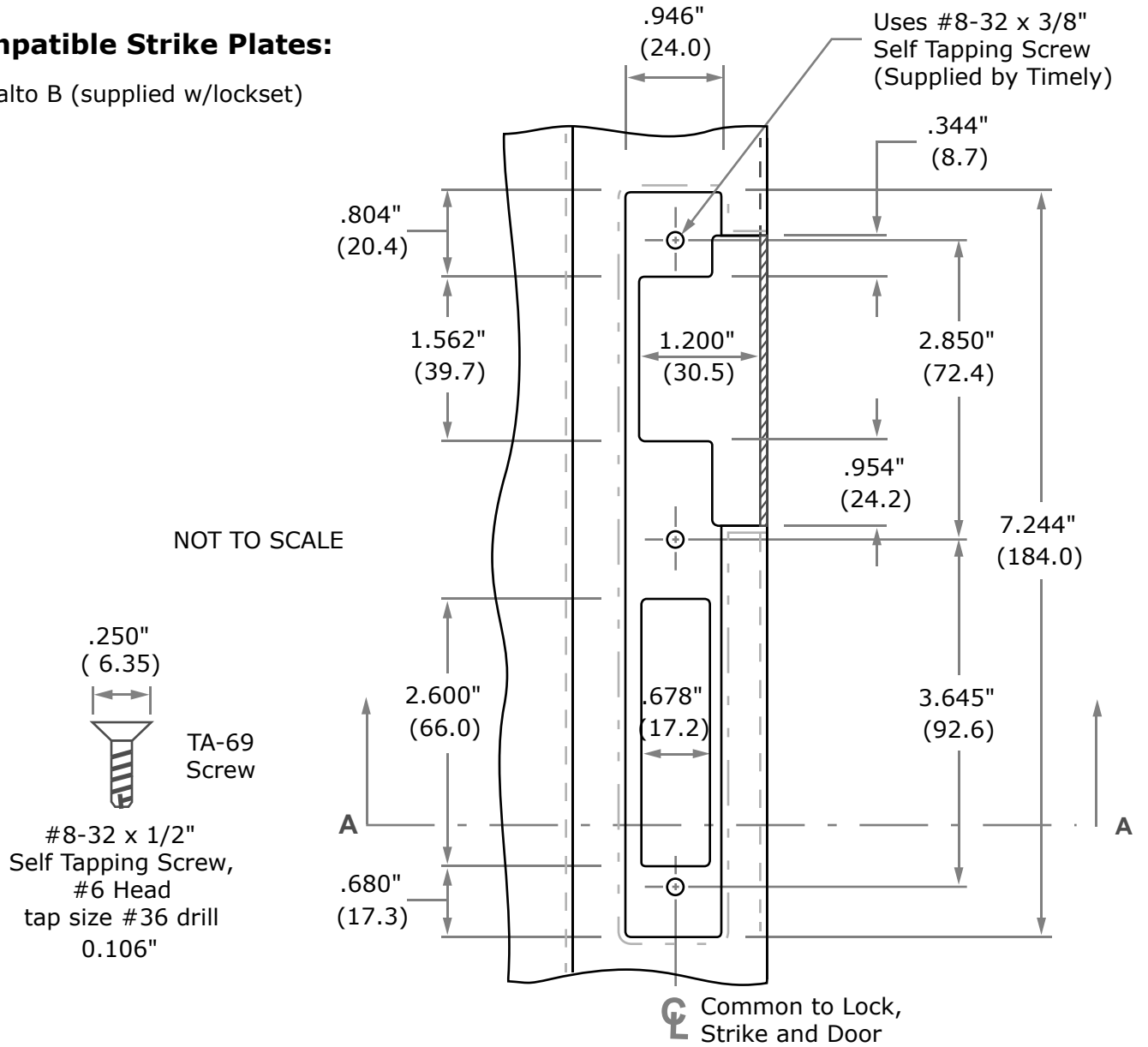
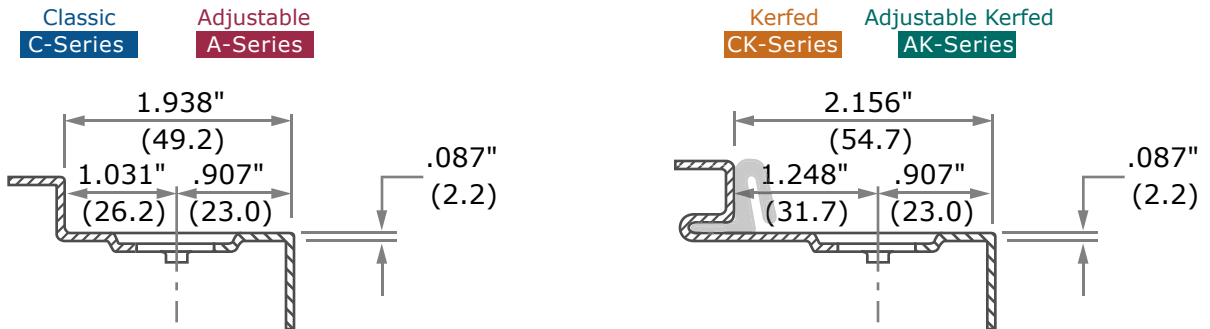


Compatible Strike Plates:

- Salto B (supplied w/lockset)



Section A-A



Euro B - Onity, #8 screws

Template
S-87