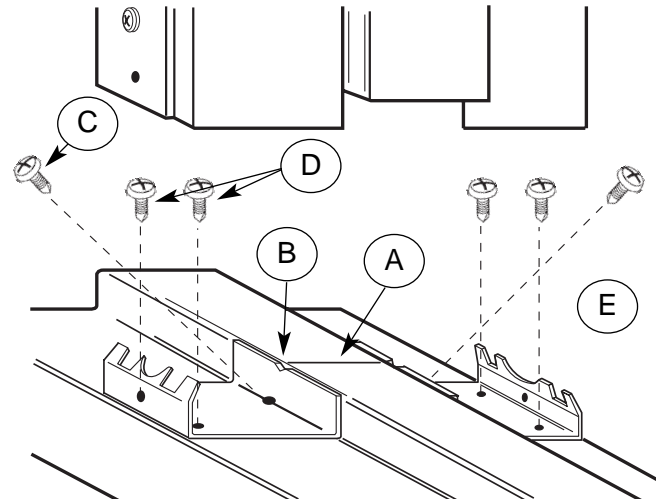
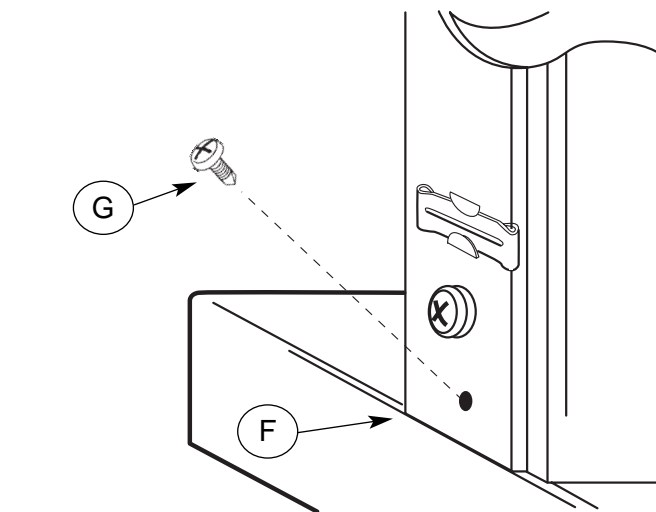


**1. BRACKET INSTALLATION**



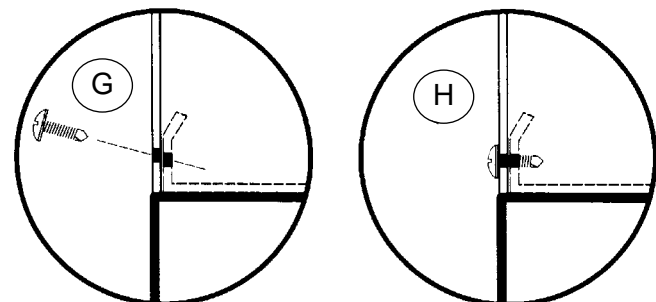
- (A) Establish a center line for mullion and scribe a line across the door stop.
- (B) Align the "V" notch in the mullion bracket with the line scribed in step A.
- (C) Apply first screw at a 45° angle to secure bracket to door stop.  
NOTE: Be very careful to keep bracket aligned with the scribe line.
- (D) Apply remaining two screws to complete bracket installation.
- (E) Repeat steps B through D to attach second bracket to opposite side. Remember to keep alignment with the scribe line.

**2. MULLION INSTALLATION**



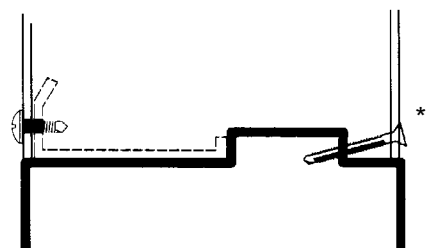
- (F) Press mullion down over the brackets forming a tight fit with the frame.  
NOTE: At this point the holes in sides of the mullion are slightly offset from the holes in the mullion brackets. The offset hole will be used to pull the mullion down onto the frame after tightening. (See mullion screw detail)
- (G) Insert screw which will enter at an angle.
- (H) Tighten screw which will bring mullion hole into alignment with bracket hole.

**MULLION SCREW DETAIL**



On wall sizes 3 3/4" and less, use mullion bracket on the doorside rabbet and secure opposite side with a 1 1/4" drywall screw as shown.

NOTE: Always install mullion screw first.



\* Caution: Do not over tighten screw

